



INTERNATIONAL APPLICATION PUBLISHED UNDER THE PATENT COOPERATION TREATY (PCT)

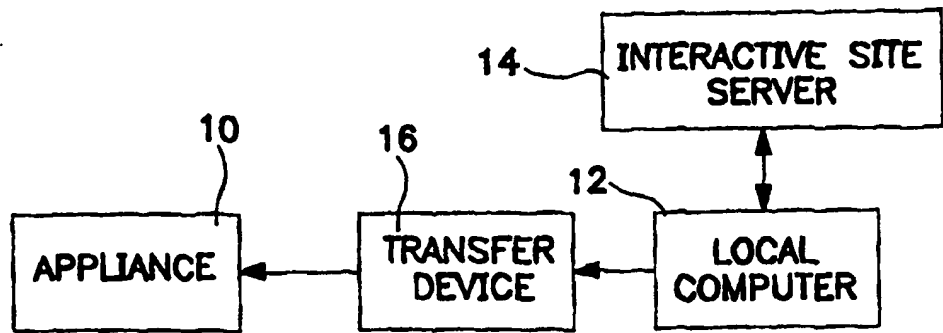
<p>(51) International Patent Classification ⁷ : G06F 9/44</p>	<p>A2</p>	<p>(11) International Publication Number: WO 00/43870 (43) International Publication Date: 27 July 2000 (27.07.00)</p>
---	------------------	---

(21) International Application Number: PCT/US00/01541
 (22) International Filing Date: 21 January 2000 (21.01.00)
 (30) Priority Data:
 09/235,709 22 January 1999 (22.01.99) US
 09/351,270 12 July 1999 (12.07.99) US
 09/351,990 12 July 1999 (12.07.99) US
 (71) Applicant (for all designated States except US): POINTSET CORPORATION [US/US]; Suite 980, 3500 Olive Avenue, Burbank, CA 91505 (US).
 (72) Inventors; and
 (75) Inventors/Applicants (for US only): IGGULDEN, Jerry [US/US]; Suite 980, 3500 Olive Avenue, Burbank, CA 91505 (US). FIELDS, Kyle [US/US]; Suite 980, 3500 Olive Avenue, Burbank, CA 91505 (US). HUSA, Christopher [US/US]; Suite 980, 3500 Olive Avenue, Burbank, CA 91505 (US).
 (74) Agents: HOOVER, George, W. et al.; Blakely, Sokoloff, Taylor & Zafman, 7th floor, 12400 Wilshire Boulevard, Los Angeles, CA 90025-1026 (US).

(81) Designated States: AE, AL, AM, AT, AU, AZ, BA, BB, BG, BR, BY, CA, CH, CN, CR, CU, CZ, DE, DK, DM, EE, ES, FI, GB, GD, GE, GH, GM, HR, HU, ID, IL, IN, IS, JP, KE, KG, KP, KR, KZ, LC, LK, LR, LS, LT, LU, LV, MA, MD, MG, MK, MN, MW, MX, NO, NZ, PL, PT, RO, RU, SD, SE, SG, SI, SK, SL, TJ, TM, TR, TT, TZ, UA, UG, US, UZ, VN, YU, ZA, ZW, ARIPO patent (GH, GM, KE, LS, MW, SD, SL, SZ, TZ, UG, ZW), Eurasian patent (AM, AZ, BY, KG, KZ, MD, RU, TJ, TM), European patent (AT, BE, CH, CY, DE, DK, ES, FI, FR, GB, GR, IE, IT, LU, MC, NL, PT, SE), OAPI patent (BF, BJ, CF, CG, CI, CM, GA, GN, GW, ML, MR, NE, SN, TD, TG).

Published
 Without international search report and to be republished upon receipt of that report.

(54) Title: METHOD AND APPARATUS FOR SETTING PROGRAMMABLE FEATURES OF AN APPLIANCE



(57) Abstract
 An interactive interface facilitates the setting of preferences and other programmable parameters of an appliance. The interface is hosted by a server on a global computer network. The appliance owner initiates a connection to the server and is presented with a graphical user interface for setting the preferences and features of the appliance. Once the desired settings have been made, they are downloaded to the appliance either directly from the server or the appliance owner's computer or indirectly using a portable transfer device.

BEST AVAILABLE COPY

FOR THE PURPOSES OF INFORMATION ONLY

Codes used to identify States party to the PCT on the front pages of pamphlets publishing international applications under the PCT.

AL	Albania	ES	Spain	LS	Lesotho	SI	Slovenia
AM	Armenia	FI	Finland	LT	Lithuania	SK	Slovakia
AT	Austria	FR	France	LU	Luxembourg	SN	Senegal
AU	Australia	GA	Gabon	LV	Latvia	SZ	Swaziland
AZ	Azerbaijan	GB	United Kingdom	MC	Monaco	TD	Chad
BA	Bosnia and Herzegovina	GE	Georgia	MD	Republic of Moldova	TG	Togo
BB	Barbados	GH	Ghana	MG	Madagascar	TJ	Tajikistan
BE	Belgium	GN	Guinea	MK	The former Yugoslav Republic of Macedonia	TM	Turkmenistan
BF	Burkina Faso	GR	Greece	ML	Mali	TR	Turkey
BG	Bulgaria	HU	Hungary	MN	Mongolia	TT	Trinidad and Tobago
BJ	Benin	IE	Ireland	MR	Mauritania	UA	Ukraine
BR	Brazil	IL	Israel	MW	Malawi	UG	Uganda
BY	Belarus	IS	Iceland	MX	Mexico	US	United States of America
CA	Canada	IT	Italy	NE	Niger	UZ	Uzbekistan
CF	Central African Republic	JP	Japan	NL	Netherlands	VN	Viet Nam
CG	Congo	KE	Kenya	NO	Norway	YU	Yugoslavia
CH	Switzerland	KG	Kyrgyzstan	NZ	New Zealand	ZW	Zimbabwe
CI	Côte d'Ivoire	KP	Democratic People's Republic of Korea	PL	Poland		
CM	Cameroon	KR	Republic of Korea	PT	Portugal		
CN	China	KZ	Kazakstan	RO	Romania		
CU	Cuba	LC	Saint Lucia	RU	Russian Federation		
CZ	Czech Republic	LI	Liechtenstein	SD	Sudan		
DE	Germany	LK	Sri Lanka	SE	Sweden		
DK	Denmark	LR	Liberia	SG	Singapore		
EE	Estonia						

METHOD AND APPARATUS FOR SETTING PROGRAMMABLE FEATURES OF AN APPLIANCE

BACKGROUND OF THE INVENTION

1. FIELD OF THE INVENTION

This invention relates generally to the field of setting programmable features of an appliance. More particularly, the invention provides a method and apparatus for conveniently setting various programmable features of an appliance using a graphical user interface accessed with a computer via a global computer network.

2. PRIOR ART

The advent of microprocessors and other miniaturized electronics has facilitated the implementation of increasingly complex functions in home and office appliances. Typically, a relatively complex operator interface is required in order to invoke the various functions that are available. For example, home electronic devices such as televisions, VCRs, stereo receivers and the like are typically provided with sophisticated remote control devices. Such remote control devices have a large number of individual buttons that are used to directly control features of an appliance and/or that are used to navigate through on-screen menus. Because of the sophistication and complexity of the controls, owner's manuals for appliances are becoming increasingly voluminous and difficult to comprehend.

Due to the growing complexity of modern appliances, many of the available features are never utilized by consumers, even as competition in the marketplace drives the proliferation of such features. A number of solutions have been proposed for making appliances easier to control and generally more "user friendly". For example, U.S. Patent No. 5,553,123 issued to Chan, et al. discloses a method for downloading set-up data via a telephone to an appliance controller. A user first initiates a telephone call to a remote site having a computer. The user communicates certain background information to the remote site, and set-up data is then downloaded via the telephone connection. The earpiece of the telephone is held in proximity to a microphone built into the appliance controller in order to receive the downloaded data. Upon receipt of the data, the controller is configured to operate the appliance.

U.S. Patent No. 5,600,711 issued to Yuen discloses an apparatus and methods for providing initializing settings to an appliance. When a user wishes to initialize the settings of an appliance, the user initiates a telephone connection with a remote site. The remote site then downloads a sequence of commands for initializing the settings in the appliance over the telephone connection. A remote control device for the appliance receives the sequence of commands and stores them in an internal memory. The remote control device is then aimed at the appliance and the user enters a command to transfer the stored sequence of commands to the appliance, thereby initializing the settings.

U.S. Patent No. 5,141,756 issued to Levine discloses a method of initializing a programmable control device, such as a remote controller for a video cassette recorder. The device is programmed by connecting it to a telephone system, dialing a remote initializing center preferably employing a computer, and providing the computer with information as to the environment of the control device by using touch tone keys to respond to audio inquiries transmitted by the computer. The computer then transmits the initializing program for loading into the memory of the control device.

U.S. Patent No. 5,774,063 issued to Barry, et al. discloses a method and apparatus for remote control of electronic devices from a computer. A transducer, such as an infrared transmitter, is coupled to a computer and aimed at an electronic device to be controlled. An application program running on the computer generates appropriate signals for control of the electronic device.

U.S. Patent No. 5,815,086 issued to Ivie, et al. discloses a method and apparatus for communicating commands to electrical appliances from remote locations. Various appliances within a structure, such as a house, are coupled to a signal-conducting bus, such as the AC power wiring bus of the structure. Appliance commands are issued over the bus from a central transmitter. Appliances may be directly coupled to the bus or may receive commands via an infrared signal from an infrared transmitting device coupled to the bus. A handheld control device may be supplied for controlling the various appliances, in which case, receivers for the handheld control device are coupled to the bus in various parts of the structure.

U.S. Patent No. 5,819,294 issued to Chambers discloses a programmable universal remote controller. A programming device is coupled to a computer and receives signals from conventional remote controllers. The programming device correlates the received signals with a database of stored signals used by various

appliance manufacturers. The programming device then sends a complete set of appropriate control signals to the programmable universal controller.

U.S. Patent No. 5,228,077 issued to Darbee discloses a universal remote controller that may be programmed from a remote location. The remote controller receives programming data via a video or telephonic data transmission system.

U.S. Patent No. 5,488,571 issued to Jacobs, et al. discloses a system for transferring data from a video display monitor of a personal computer to a portable information device such as an appointment scheduling device. The video display is modulated to transmit data to an opto-electronic receiver in the portable information device.

Microsoft Corporation has introduced a cordless phone having programmable functions controlled by a personal computer. The base station of the phone is coupled to the serial port of a computer and application software is installed on the computer to control operation of the phone.

SUMMARY OF THE INVENTION

The present invention provides methods and apparatus for setting preferences and other parameters of an appliance. In preferred embodiments of the invention, a user initiates a connection to an interactive site on a global computer network. The site hosts a graphical user interface with which preferences and other parameters of an appliance may be set by the user. In some embodiments, set-up data for the appliance may be downloaded directly to the appliance from the user's computer or the interactive site. In other embodiments, set-up data for the appliance is downloaded from the user's computer or the interactive site to a transfer device where it is temporarily stored. The transfer device, which is easily portable, is taken by the user to the appliance, and the set-up data is downloaded from the transfer device to the appliance. Since the appliance itself does not require a user interface for set-up procedures and programming, the appliance can be smaller, cheaper and lighter without sacrificing any functionality. In addition, the need for a printed user's manual is largely obviated since all of the information normally contained in such a manual can be obtained from the interactive site.

BRIEF DESCRIPTION OF THE DRAWINGS

Figure 1 is a functional block diagram of a first embodiment of the invention wherein an appliance receives data directly from a local computer.

Figure 2 is a functional block diagram of a second embodiment of the invention wherein an appliance receives data from a local computer via a transfer device.

Figure 3 is a functional block diagram of a transfer device as shown in **Figure 2**.

Figure 4 illustrates a graphical user interface suitable for setting programmable features of a thermostat.

Figure 5 is a functional block diagram of a third embodiment of the invention wherein an appliance receives data directly from an interactive site server.

Figure 6 is a functional block diagram of a fourth embodiment of the invention wherein an appliance receives data from an interactive site server via a transfer device.

Figure 7 illustrates luminance modulation for transferring decimal data digits.

Figure 8 illustrates luminance modulation with dithering encoding.

Figure 9 illustrates luminance modulation with irregular graphic patterns.

Figure 10 illustrates bi-color phase modulation.

Figure 11 illustrates video bar code modulation.

Figure 12 illustrates a self-clocking data encoding scheme for use with the present invention.

Figure 13 is a functional block diagram of a receiving device suitable for use with the present invention.

Figure 14 illustrates a display screen having a portion thereof for data transfer.

Figure 15 is a plot of CRT photoresponse of a prototype system constructed in accordance with the present invention.

Figure 16 is a plot of a calibration sequence used in the prototype system.

Figure 17 illustrates an embodiment of the invention employed to provide a visual index to the contents of a storage medium.

Figures 18-20 illustrate the transfer of a virtual companion from a personal computer to a handheld device in accordance with an embodiment of the present invention.

DETAILED DESCRIPTION OF THE INVENTION

In the following description, for purposes of explanation and not limitation, specific details are set forth in order to provide a thorough understanding of the present invention. However, it will be apparent to one skilled in the art that the present invention may be practiced in other embodiments that depart from these specific details. In other instances, detailed descriptions of well-known methods and devices are omitted so as to not obscure the description of the present invention with unnecessary detail.

The present invention finds application with a wide variety of home and office appliances. Some categories of appliances in which the invention may be utilized include clocks, telephones, televisions, television set-top decoders, video recorders, audio and video entertainment system components, refrigerators, conventional ovens, microwave ovens, dishwashers, irrigation systems, global positioning satellite (GPS) receivers, automobile heating, ventilating and air conditioning (HVAC) systems, automobile sound systems, home security systems, home HVAC systems, home master control systems, facsimile machines, copiers, cameras, postage meters, etc. "Programmable features" refer to any appliance features that may be altered. These include, for example, initialization or set-up parameters, stored data (e.g., telephone speed dial numbers or GPS receiver database) and internal software. Specific examples are given below to illustrate operation of the invention. However, it will be understood that the invention has general applicability to appliances of all types and to all types of programmable features within such appliances.

The invention also has applicability apart from setting programmable features of appliances. For example, the invention may be employed to purchase pay-per-view programming at an interactive web site. An authorization code may then be downloaded into the transfer device of the invention and transferred to a TV set-top box so that the purchased program will be "descrambled". This approach eliminates the telephone connection required for most TV set-top boxes with pay-per-view capability.

Another potential application for the invention is as a programmable "token" which may be used to facilitate a wide variety of transactions. For example, a consumer product manufacturer may offer discounts on certain of its products at its web site. Authorization to receive the discount may be downloaded into the transfer device of the invention and the transfer device may then be taken to a retailer. The transfer device is then used to transmit the discount authorization to a receiving terminal at the retailer. Ideally, the terminal would also have the ability to modify the stored contents of the

transfer device so that the discount authorization could be cancelled once the discount is given. This same "token" approach can also be applied to pre-paid purchase transactions; reservations at restaurants, hotels, parks, etc.; entry authorization to entertainment venues or other secured areas and similar situations in which a conveniently transported authorizing token serves as an extended communication link from a computer system.

1. SPECIFIC EMBODIMENTS OF THE INVENTION

A first embodiment of the invention is illustrated in **Figure 1**. An appliance **10** receives set-up data from a local computer **12**. In a typical application, local computer **12** is a general purpose personal computer of the type now widely found in homes and offices. Details of computer **12** are not particularly relevant to the invention and are not shown. Typically, computer **12** will comprise, at a minimum, a processing unit, a keyboard and a display. Additional input devices, such as a mouse or other pointing device, and output devices, such as a printer, may also be included as part of computer **12**.

Local computer **12** is coupled to a remote interactive site server **14** by a telecommunications link. In a typical embodiment of the invention, interactive site server **14** would be accessible via the World Wide Web. Other appropriate means for connecting computer **12** to server **14** could also be employed. Server **14** contains programming for interactively setting the programmable features of appliance **10**. Preferably, server **14** presents to the owner of appliance **10**, via computer **12**, a graphical user interface that is tailored to appliance **10** and the programmable features thereof. Such interface can be thought of as a "virtual appliance". This can be better understood from the discussion of **Figure 4**, below.

In the embodiment illustrated in **Figure 1**, appliance **10** is coupled directly to local computer **12**. This embodiment is best suited for portable appliances that may be conveniently carried to the computer for set-up. The coupling between appliance **10** and computer **12** may be one-way from the computer or two-way. One-way communication may be accomplished optically by providing appliance **10** with an optical sensor and modulating the display of computer **12** utilizing one or more of the techniques described below. Other communication techniques can be employed using audio, magnetic, inductive, infrared, or radio frequency coupling. Two-way communications are most conveniently established by connection to a serial port of

computer 12. Naturally, this type of connection is not convenient for some appliances, but is particularly well-suited to portable appliances that may require a large amount of data. For example, loading data into a pocket organizer or similar type of personal digital assistant can be most conveniently accomplished with a serial port connection in the configuration illustrated in **Figure 1**.

Some types of appliances can be readily adapted to utilize existing components for establishing communications with computer 12. For example, electronic cameras inherently possess optical sensors that can be used to sense modulation of a computer display screen or other light source. The primary imaging path of the camera may be used in the case of video cameras and digital still cameras. This simply requires the addition of circuitry and/or software to decode the modulation and store the appropriate set-up parameters. Alternatively, the receiver of the camera's focusing range finder may be used as the optical sensor.

In order to provide the appropriate interface for programming the features of appliance 10, server 14 preferably receives data from the appliance manufacturer. Such data may be received periodically as new model appliances are released by the manufacturer or may be obtained by server 14 in real time with a dial-up connection to the manufacturer. The latter approach offers the advantage of insuring that the most recent product information is available to server 14. One method of insuring that the appropriate information for appliance 10 is obtained by server 14 is to prompt the appliance owner to input the serial number of the appliance at computer 12. This need only be performed once, since the serial number can thereafter be stored in computer 12 and/or server 14 for use in subsequent programming of the same appliance. Warranty registration for the appliance may be conveniently performed during this same procedure.

An optional aspect of the invention is the ability of server 14 to provide valuable feedback to the appliance manufacturer. During appliance set-up operations, server 14 collects information concerning consumer's use of product features that can be useful in product marketing and new product design. The link between server 14 and the appliance manufacturer also facilitates new marketing opportunities. The manufacturer can readily target advertising to identified purchasers of its products. Also, the manufacturer can offer accessories and related products for appliance 10. Such offers may be integrated with the set-up interface or may be directed to the appliance owner separately by email or conventional mail. It should be appreciated that the invention

can facilitate warranty registration. Since the appliance owner is already communicating with server 14 to set programmable features of the appliance, it is a simple matter to collect the additional information necessary to complete warranty registration and, if desired, to provide additional demographic data to the manufacturer.

Figure 2 illustrates an alternative embodiment of the invention. This embodiment is similar to that of **Figure 1**, except that programming data is provided to appliance 10 by a transfer device 16. This transfer device receives the programming data from local computer 12 by a wired connection to computer 12 or, preferably, by an opto-electronic or other wireless data link such as will be described more fully below.

Figure 3 is a functional block diagram of a suitable transfer device 16. At the heart of device 16 is a control electronics module 102. Data modulated on the display screen of computer 12 is sensed by optical detector 104 upon activation of receive switch 106. The data is demodulated by electronics 102 and is stored in memory 108. Upon confirmation of error-free transfer and storage of the data, a suitable indication is provided to the user by means of indicator 110, which may be, for example, a light emitting diode (LED). With the data loaded in memory 108, transfer device 16 may be carried to appliance 10, which preferably includes a "docking" port for transfer device 16. Transfer device 16 may be an integral component of appliance 10, which is provided to the consumer by the appliance manufacturer. Alternatively, appliance 10 may be provided with an infrared receiver coupled to its internal control electronics. In the case of an IR link, transfer device 16 is held in proximity to the infrared receiver of appliance 10. Upon actuation of transmit switch 112, the data stored in memory 108 is appropriately modulated by electronics 102 and applied to infrared transmitter 114. Indicator 110 may confirm to the user that the data has been transmitted. Alternatively, or in addition, an indicator may be provided on appliance 10 to signal receipt of the data. Power source 116, preferably in the form of common alkaline battery cells, provides electrical power to the components of device 16.

Transfer device 16 may be configured to transfer data from the appliance back to the computer as well. Data from the appliance may be loaded into the transfer device by means of an opto-electronic link in the same manner by which data is loaded from the computer. Preferably, however, the transfer device will have a direct electrical coupling to the appliance for applications involving 2-way communications. Transfer of data into the computer may be accomplished in a number of ways. For example, transfer device 16 may couple directly to a serial or parallel input port of the computer.

Alternatively, transfer device **16** may include a sound transducer by which data may be transferred through a microphone coupled to the computer.

Transfer device **16** may be configured in various forms. Preferably, device **16** is easily portable. Device **16** may be in the form of a pen or wand with optical detector **104** and infrared transmitter **114** at one end. Transfer device **16** may also be integrated with a conventional remote controller for those types of appliances that are commonly controlled remotely. In another variation, transfer device **16** may be a removable module that is docked into appliance **10** as described above. In such case, communication between the transfer device and the appliance may be accomplished with a direct electrical connection through a suitable arrangement of electrical contacts. Transfer device **16** may, in fact, comprise the "brains" of appliance **10** in the form of a microprocessor or equivalent device. Aside from the ease of programming features and functions of the appliance, such an arrangement offers the added benefit of facilitating service or replacement of the appliance's electronic components in the event of malfunction.

The embodiment shown in **Figures 2 and 3** is particularly well-suited to appliances that are relatively fixed in position and that require only limited amounts of data. Examples of such appliances abound in the home and office. One such example is a thermostat for a home HVAC system. **Figure 4** illustrates a graphical user interface for a thermostat as presented on a display of computer **12**. Such interface is shown merely for purposes of illustration, it being understood that the particular features of the interface are largely a matter of design choice. The graphical user interface is sometimes referred to as a "virtual appliance" (a virtual thermostat in this specific example). This does not imply that the interface physically resembles the real appliance, but rather that the interface permits access, via the user's computer, to the programmable features of the real appliance.

Along the top of the display shown in **Figure 4** is a day strip **122**. The user may select any one of the days with a cursor to program the thermostat settings for that day. Below the day strip is a temperature selector **124**. Pointing at the up or down arrow with a mouse or other cursor positioning device, the user selects the desired temperature. To the right of temperature selector **124** there are a pair of time windows **126** and **128**. Using the appropriate up and down arrows, the user selects the starting and ending times for which the temperature selection applies. When the desired settings have been made, the user selects ENTER button **130** to store the selections and then

proceeds to make the next set of selections. For convenience, the ending time last entered may be automatically inserted into the starting time window. A graphical display 132 of the selected temperature profile may be provided for the user's convenience.

When all settings have been completed, the data is loaded into transfer device 16, which is then taken to the physical location of the thermostat for transfer of the data. Since all of the settings have been entered into computer 12, they may be conveniently saved locally and/or by server 14 for subsequent use in revising these settings or for reloading the settings in the event of a power failure. A printed record of the settings may also be made from computer 12. For some appliances, a print-out following a set-up procedure may be used as a template for the appliance to indicate selected options and programmed features. For example, certain appliances may have unlabeled function buttons for which a template may be made once selected functions have been assigned to the buttons during a set-up procedure.

It will be appreciated that a thermostat physically incorporating the interface shown in **Figure 4** would be quite large and costly in comparison to conventional thermostats. This is due primarily to the relative complexity of the interface, since the actual componentry to provide such flexibility of thermostat settings is actually quite small and inexpensive. Through use of the present invention, virtually unlimited flexibility in thermostat programming may be accomplished with a thermostat that is no larger and no more costly than a conventional thermostat. Indeed, a thermostat as just described could easily be made the size of a postage stamp.

Figure 5 illustrates another alternative embodiment of the invention. In this case, data for appliance 10 is received directly from server 14 rather than local computer 12. From the appliance owner's perspective, the appliance programming interface is otherwise identical to the previously described embodiments. Communication between server 14 and appliance 10 may be telephonic. Appliance 10 may incorporate a conventional modem, in which case communications may be two-way, or may simply have a data demodulator for one-way communications. Coupling of appliance 10 to the telecommunications network may be by a conventional RJ-11 connection. Alternatively, appliance 10 may incorporate a cordless telephone module for communicating with a separate base station. Communications between server 14 and appliance 10 could also be implemented with radio signals. For example, appliance 10 could incorporate a conventional paging receiver.

A particular example of the embodiment illustrated in **Figure 5** is a programmable telephone. Speed dial numbers and other programmable features of a telephone may be conveniently set using a graphical user interface hosted by server **14**. Once the features have been programmed by the user, server **14** simply places a call to the telephone. Appropriate data demodulation circuitry is incorporated in the telephone in order to download the data from server **14**.

Figure 6 illustrates a further embodiment of the invention generally similar to that of **Figure 5**, but incorporating a transfer device as in the embodiment of **Figure 2**. Here, however, transfer device **16'** receives data directly from server **14**. As with the previously described embodiment, communication between server **14** and transfer device **16'** may be telephonic or by radio. One example of a transfer device **16'** is embodied as a removable module or "card" of a telephone. Data for an appliance **10** is downloaded from server **14** to the telephone where it is demodulated and stored in the card. The card may then be taken to appliance **10** to transfer the data to the appliance with an infrared or other data link.

Another embodiment of the invention as illustrated in **Figure 6** is a "universal" remote controller that may be coupled to a telecommunications network by means of an RJ-11 jack or equivalent in the manner disclosed by Darbee in U.S. Patent No. 5,228,077. The remote controller could thus function as a data transfer device in addition to its more conventional remote control functions.

As discussed above, the transfer device or appliance of the present invention preferably receives data by means of an opto-electronic data link. Any suitable source of light modulation may be employed to transmit data to the transfer device or appliance. These include LEDs, incandescent bulbs, LCDs and CRTs. A convenient source of light modulation is the display screen of a local computer. At least a portion of the display of the local computer may be modulated to transmit data to the transfer device.

Most current approaches to video modulation data transfer use sequential pulsing of the video image to provide a series of binary 1's and 0's. These binary bits are used with framing bits (start and stop bits) to form complete data bytes. Some of the current approaches rely on the scanning CRT image to serialize the data bits by providing a luminance pulse for each data bit. This approach will fail when applied to

flat panel LCD screens because these screens do not have a scanning luminance response like that found with the CRT.

Other methods provide a binary bit stream where each bit is produced at the video field rate. For a typical CRT, this provides one binary data bit each 16 msec. (60 fields per second). While this approach is viable for the CRT, it will not work well for flat panel displays. The slow response time of LCD panels mean that only a small number of data bits could be transferred per second. For a passive display, 3 bits would be possible (assuming 300 msec. response time). For active panels, 20 bits could be transferred. Using conventional start and stop bits, a passive panel would then be capable of transmitting 0.3 bytes per second and active panels 2 bytes per second. This is too low a data rate for many applications.

Various modulation schemes are proposed below that are suitable for use with both CRT and LCD displays. Transmission of data from a remote server through a user's computer may be implemented with an appropriate applet written, for example, in the Java programming language.

2. LUMINANCE MODULATION

A first approach to data modulation of a display screen employs luminance modulation. This method drives the display with varying levels of intensity. Each intensity level can represent an entire data digit. For example, **Figure 7** illustrates a method using 10 shades of gray to represent a decimal digit. The luminance level for each successive decimal digit or luminance "dwell" is generated as fast as the display can accommodate. For an active matrix LCD panel, 20 dwells could be sent in one second. This allows 20 digits of information per second, which is substantially faster than sending binary data. Higher data rates are possible with CRT displays, which are capable of transmitting a decimal digit in each video field.

The luminance levels are detected by a photodetector in a receiving device. Discrete luminance levels can be generated using several different methods:

a) Gray scales

This method drives a spot on the display to one of several discrete shades of gray. The photodetector in the receiving device can detect the discrete levels and convert each level into a single digit value. Reference levels can also be sent periodically in the data stream to establish the black and white (highest / lowest) luminance levels. This allows

the photodetector output to be scaled to more accurately detect each discrete gray level. One limitation to this method is that the gray scale response of the display may not be linear. In fact, gray scale levels are greatly affected by the monitor's contrast and brightness controls. These controls can be changed by the user and are not predictable or known constants.

b) Chromatic luminance

It is possible to convey various luminance levels by selecting different color combinations. Each color has a luminance component combined with a chroma component. Selecting different colors also selects different luminance levels. For example, dark brown has a low luminance while cyan has a high luminance. Note that what is being detected with this method is luminance – not color. Accurate luminance detection depends on the color response of the display, the monitor contrast, brightness and color settings, and the color response characteristics of the photodetector. Accurate detection using this method typically requires some form of calibration to match the photodetector response to the display color response.

c) Dithering

With reference to **Figure 8**, the currently preferred method displays a regular pattern of black and white pixels within a region of the display to produce an average luminance level. This “dithering” average level is created by dividing the entire detection region into a matrix of smaller discrete cells comprising one or more pixels. Each cell is either driven full white or full black. The ratio of black to white cells determines the overall, average luminance for the detection area. This method eliminates problems with unpredictable gray scale response in the display due to contrast or brightness settings.

The dithering approach illustrated in **Figure 8** uses a rectangular matrix to obtain an average luminance for a given area. It is also possible to display other graphic patterns or characters which have a distinctive appearance while also presenting an average overall luminance. Some examples are shown in **Figure 9**. Each of these have a unique luminance level when the black areas are averaged with the white background. This allows the photodetector to discriminate between unique patterns or characters to convert to a corresponding data value.

d) Multi-color modulation

Another method is to use two or more color channels to provide a means of data modulation. For this method two or more photodetectors are used, each responsive to different portions of the color spectrum. For example, separate red and green photodetectors could be used to detect varying shades of each color. Using two channels allows data encoding using the luminance level of each color channel, or the phase between two color signals. Phase modulation works by modulating the color channels at a given rate, but varying the phase relationship between the two channels as shown in **Figure 10**.

To further increase the data density, it is possible to combine modulation of color luminance with color phase. Thus at any given sample interval, three parameters are available: red intensity, green intensity and phase relationship. If eight discrete values of each parameter are used, each sample point can represent 8^3 values or 1 of 512 discrete numerical values per sample. A disadvantage to this method is the requirement for two color-selective detectors. Also, color response can vary between displays, so some type of color calibration may be required.

3. VIDEO BAR CODE

Figure 11 illustrates another method of data encoding using video bar code modulation. This approach is similar to printed bar codes, but uses a higher density data coding. With this method, a video bar code is displayed across the screen. The user swipes a receiving device across the bar code to read data from the screen. Conventional printed bar codes work by using different spaces between vertical lines. The spacing relationship is translated into binary data bits. Multiple bits are combined to form bytes of data.

Using a video image, data can be represented using luminance levels or color. This allows higher data density because each "bar" in the video bar code can represent an entire decimal digit instead of just a single binary bit. This increases data density by 8 to 10 times compared to conventional bar codes.

Figure 11 illustrates a video bar code using luminance levels. Note that luminance levels can be generated using the same methods as previously described for spot modulation. Each bar represents one of many luminance levels, for example, with 10 luminance levels each bar can represent a digit value of 0 to 9.

4. COLOR MODULATION

Chromatic luminance modulation was described above as a form of intensity modulation. It is also possible to employ a true color modulation in which specific color hues are used to represent corresponding numerical values. Depending on the range of hues used, an array of two or three separate detectors sensitive to different spectral components, such as by using appropriate filters, is required. A beam splitter may be employed to direct light to the individual detectors of the array in the receiving device.

5. SELF CLOCKING

Regardless of the method of modulation employed, it is desirable that the data transmission be self-clocking. This means that individual data characters are detected by the receiving device without precise time spacing between characters. This self-clocking approach allows for pauses to occur during the transmission of data characters without creating transmission errors. Pauses can occur in PCs if the operating system performs another task while the transmission is active. For example, multitasking operating systems will commonly write data between memory cache storage and disk drives. This activity can preempt the operation of other software and cause short pauses in the operation of lower level applications. For internet based data transfers, varying delays are also common when moving data between servers and client PCs.

It is also important to accommodate different data rates depending on the type of display monitor being used. Prior to starting the data transfer, the user can make a selection to indicate the type of display being used. If the display is a CRT, a faster transfer rate may be used (up to 75 digits per second). If an active matrix display is being used the transfer rate will be slower (20 digits per second). While the selection of transfer rate is easily accomplished on the PC side, the receiving device will preferably be compatible with all available transfer rates. Using self clocking data allows the receiving device to receive data at the transmission rate, without the need for a data rate selection on the receiving device itself.

An efficient self-clocking method using a non-binary data encoding is illustrated in **Figure 12**. If luminance modulation is used the receiving device can detect each discrete luminance level change as a new digit. The length of time between successive digits is irrelevant. If the same digit value is sent twice in succession, a special "repeat" character can be used to indicate that the last digit value is repeating. As shown in **Figure 12**, ">" indicates a repeating digit value. If the data stream the numerical value

1223, this would be transmitted as 1 2 > 3. More than two repeating digits are handled by resending the digit again after the repeat character. Thus, 122223 would be sent as 1 2 > 2 > 3. With this approach a single digit value is never repeated twice in succession. The detector can simply wait for each change in luminance level to indicate a new digit value has been sent. Timing relationships between characters is not significant.

A self-clocking data interface in accordance with the present invention preferably uses a base 12 encoding system comprising decimal values 0-9, the repeat character ">" and a character "*" to designate the end of a data record. Using this system, a sequence of decimal values of arbitrary length can be transferred using, e.g., twelve intensity levels. Alphanumeric data may be transferred using double digit values, each pair of digits representing the ASCII or equivalent code for an alphanumeric character.

6. TIME INTERVAL MODULATION

In contrast to self-clocking methods, another modulation approach is based on the time spacing between changes in intensity level or color. With this approach, only a limited number of intensity levels or colors is required. The number of discrete intensity levels or colors may be as few as two. The time interval between changes in intensity level or color has a number of possible discrete values, each of which corresponds to a numerical value. A significant advantage of this approach is that it is not sensitive to variations in display intensity or color fidelity. However, due to the characteristic response times, this approach is better suited to CRT displays than to LCD displays.

7. RECEIVING DEVICE

Figure 13 is a block diagram of a receiving device **200** suitable for use in connection with the present invention. Light emitted by (or reflected by) a display screen falls on photodetector **202**. The output of the photodetector is amplified by amplifier **204** and asserted at the input of the analog-to-digital (A/D) converter **206**. The digitized output, in this case comprising an 8-bit word, is presented as an input to microcontroller **208**. The operation of microcontroller **208** is controlled by program instructions stored in read only memory (ROM) **210**. These instructions govern the conversion of the raw digitized input from A/D converter **206** into a data digit. The data digits are further processed in accordance with the particular functions to be accomplished by receiving device **200**. When configured as a transfer device, such as transfer device **16** discussed previously, receiving device **200** will further communicate

the data digits or information derived therefrom to a host device via a wired or wireless interface. A random access memory (RAM) 212 is coupled to microcontroller 208 for use as a scratchpad memory, the use of which may include temporary storage of the data digits received from A/D converter 206 or information derived therefrom. In many applications, particularly those related to transaction processing, receiving device 200 will include a user interface 214 comprising a display and/or various controls, such as function selection buttons and the like. Receiving device 200 may also include a provision to allow for automatic calibration of the analog to digital converter. A peak detector 216 detects the peak white level in the received signal. This level is used to establish the upper range of A/D converter 206. This allows the full range of the A/D converter to be used over the receiver's data detection range.

Receiving device 200 may be configured in any convenient form. As discussed above in connection with transfer device 16, receiving device 200 may have an elongated cylindrical shape similar to a pen or a wand. In such case, photodetector 202 may be conveniently located at one end of the device. However, it has been found that pen- or wand-shaped devices have disadvantages when used with LCD flat screen displays. If the device is pressed against the display, even with light pressure, the display may be distorted, thereby affecting the accuracy of the data transfer. For flat panel displays, a flat, card-shaped receiving device is preferred. Such a device may be held against the display screen without distorting the display.

To ensure proper registration of the receiving device with the display screen, a visual indication of the area of the display screen that will contain the data modulation is preferably provided. As shown in **Figure 14**, a rectangular area of the display screen, generally corresponding in size and shape to the card-shaped receiving device, may be configured as a window and may be labeled with a legend such as "place card here". A progress bar may be displayed adjacent to the transmission area to indicate the status of data transmission.

In the examples discussed above, a single photodetector (or paired detectors in the case of bi-color modulation) is used in combination with a single modulated region of the display screen. It will be appreciated that the data transfer rate can be multiplied by employing a suitable array of photodetectors in combination with a corresponding array of data transmission regions. Obviously, the array of detectors must be properly registered with the array of modulated regions on the display. This can present a challenge in the case of a handheld receiving device. One solution to this challenge is

illustrated in **Figure 14**. Here, the display is divided into four quadrants that are independently modulated. The receiving device includes an array of four independent photodetectors. By providing simple registration marks on both the display screen and the receiving device, the receiving device can be held against the display screen so that the photodetectors are in proper registration with the corresponding quadrants.

8. EXPERIMENTAL RESULTS

A prototype system has been constructed. The prototype receiving device is configured as a card having the same length and width as a standard credit card. A 9 mm round photodetector element is located in the center of one face of the card. Electronic circuitry within the card amplifies the output signal of the photodetector, which is then applied as an analog input to a conventional personal computer system where A/D conversion is performed. The photodetector element is designed to detect the average luminance over a 9 mm round area of the display screen. The detector consists of a translucent glass window and a photo-Darlington transistor photodetector mounted in a plastic enclosure.

The prototype system employs luminance modulation using the dithering approach discussed above. A total of 12 luminance levels are used to represent ten decimal values plus two additional values to indicate formatting and repeating characters. Using a CRT display, the prototype system has achieved data transfer rates of 20 characters per second.

The photodetector in the receiver detects the luminance change as the electron beam in the CRT passes over the detector. This screen phosphor glows with a brightness related to the average screen luminance. For a CRT display, the beam is constantly scanning the screen. This creates a pulse as the beam passes over the detector. Therefore, the signal detected is a pulse which repeats at the frame rate of the display (typically 13 to 17 msec. per field). **Figure 15** is an actual capture of the signal received by the detector using a CRT-based display.

Since the received signal is a pulse, a software algorithm processes the A/D conversion readings in order to establish the luminance level represented by the peaks of the detected pulses. The software algorithm is then capable of decoding these levels back into packets of data.

It is desirable for the system to automatically adapt to varying intensity levels on the display. Different luminance levels will result due to variances in the brightness response of the display, the sensitivity characteristics of the photodetector and also due to adjustment of the brightness and contrast settings of the monitor.

To automatically adjust for these differences, the system provides a calibration sequence at the start of each data transmission. As illustrated in **Figure 16**, the calibration pattern consists of a staircase of each of the 12 luminance levels used. A full white pulse (level 12) is sent at the start of the sequence, followed by values of 0 to 12. This signal is detected by the receiver and used to establish the actual 12 discrete levels obtained from the monitor. In **Figure 16**, the bottom signal is the actual pulse waveform received by the photodetector. The top signal is that obtained after processing by a software algorithm.

9. FURTHER EMBODIMENTS OF THE INVENTION

Another specific example of the utility of the present invention is illustrated in **Figure 17**. A transfer device **300** is essentially similar to device **200** described above. Data is transferred into device **300** from a local computer **302** as previously discussed. In this case, device **300** is loaded with information describing the contents recorded on a storage medium, such as videotape cassette **304**. The information loaded into device **300** may be inputted directly by the user at the local computer. Preferably, however, an interactive television program guide is employed so that the user can simply "point and click" on the particular programs that have been recorded.

Transfer device **300** is then docked into videotape cassette **304**. A display **306** is then employed to provide a visual index to the contents of cassette **304**. Alternatively, a display **308** may be built into cassette **304**, in which case transfer device **300** need not include display **306**. In this case, the information describing the contents of cassette **304** may be stored within the cassette itself so that the transfer device may be used to load information into a plurality of cassettes.

Still another example of the utility of the present invention is shown in **Figures 18-20**. **Figure 18** illustrates a virtual companion **410** appearing on the display screen **412** of a personal computer system. Virtual companion **410** may be created by a software program running on the computer system. Such software may be purchased and installed using conventional magnetic disks or a CD-ROM. The software may also be downloaded from a remote site. Alternatively, virtual companion **410** may be

generated by a software program on a remote server that is accessed by the personal computer system via the world wide web. The virtual companion may resemble a pet animal, a commercial doll or stuffed toy, a character from a book or comic strip, an historical figure, a sports personality, etc.. Preferably, certain attributes of the virtual companion, such as the companion's name, limited aspects of appearance, dress, voice and spoken phrases may be customized by the user with appropriate control panels and the like on the personal computer system.

An integral part of the invention is handheld device **420**. This device would be purchased by the user in conjunction with software for the personal computer system or with a password to a corresponding web site. Once the virtual companion has been configured according to the user's wishes, it may be "transported" from display screen **412** to device **420**. To accomplish this, the user initiates a transfer by clicking on a transfer icon **414** on display screen **412** or by other suitable input means. The user is then instructed to place device **420** over a location **416** on display screen **412**.

Referring now to **Figure 19**, virtual companion **410** appears on display screen **422** of device **420** when the transfer is completed. Appropriate sound effects may be generated by the computer system during the transfer process. Virtual companion **410** no longer appears on display screen **412** of the computer system. As indicated in **Figure 20**, device **420** may now be removed from display screen **412** and carried about with virtual companion **410** "resident" therein.

Software installed in device **420** controls virtual companion **410** while it is in "residence". Such software would include at least a limited capability for animating virtual companion **410** and for enabling it to articulate words and/or sounds. The manner in which virtual companion **410** is controlled may be downloaded into device **420** as part of the transfer process.

When desired, virtual companion **410** may be returned to display screen **412**. This transfer may again be initiated by clicking on an icon on the display screen or by other suitable input means. It is possible to achieve this transfer even if there is only one-way communication from display screen **412** to device **420**. When the transfer is initiated, data is sent from display screen **412** to device **420** to cause virtual companion **410** to be removed from display screen **422**. Simultaneously, virtual companion **410** appears on display screen **412**. However, if device **420** is not properly aligned with location **416** on display screen **412**, virtual companion **410** may appear on display

screen 412, even though it is not removed from display screen 422. Therefore, it may be preferable to implement at least limited two-way communications between device 420 and the personal computer system. One way of providing communication from device 420 to the computer system is via an audible signal from device 420 that is received by a microphone in the computer system. Alternatively, a wired interface to a microphone input jack or other input port of the computer system may be used.

A variety of interactive activities may be constructed around the virtual companion. For example, the virtual companion may be a participant in a game played on the personal computer system. The virtual companion may then be transferred to device 420 as a means of escape from some danger, for transport to a different time or place in the story line of the game, for "regeneration" or the like. Virtual companions may even be transferred between users. Thus, one user may "send" his virtual companion to a friend, who can then interact with the virtual companion and transfer it to her own device 420.

Apart from providing a portable "habitat" for a virtual companion, device 420 may have additional play value. For example, device 420 can serve as a readout device for text messages that are sent from display screen 412 using the data transfer protocol of this invention. Device 420 thus acts as a "decoder" for otherwise unintelligible messages.

It will be recognized that the above-described invention may be embodied in other specific forms without departing from the spirit or essential characteristics of the disclosure. Thus, it is understood that the invention is not to be limited by the foregoing illustrative details, but rather is to be defined by the appended claims.

CLAIMS

WHAT IS CLAIMED IS:

1. A method for setting programmable features of an appliance comprising the steps of:
 - providing an interactive site on a global computer network;
 - establishing a connection with the interactive site;
 - interactively setting programmable features of a virtual appliance at the interactive site;
 - providing a transfer device separate from the user's computer having an input port and an output port;
 - downloading set-up data from the interactive site to the input port of the transfer device;
 - downloading the set-up data from the output port of the transfer device to a real appliance corresponding to the virtual appliance.
2. The method of claim 1 wherein the input port of the transfer device comprises an optical sensor.
3. The method of claim 2 wherein the step of downloading set-up data from the interactive site to the input port of the transfer device comprises modulating a portion of a display screen and sensing such modulation with the optical sensor.
4. The method of claim 3 wherein the step of modulating the display screen comprises displaying varying shades of gray.
5. The method of claim 3 wherein the step of modulating the display screen comprises displaying varying colors.
6. The method of claim 3 wherein the step of modulating the display screen comprises displaying varying patterns of black and white pixels.
7. The method of claim 6 wherein the pattern comprises a regular pattern of cells.

8. The method of claim 6 wherein the pattern comprises an irregular graphic pattern.
9. The method of claim 6 wherein the patterns of black and white pixels have a plurality of average intensity levels greater than two such that each of the patterns represents a corresponding data digit having a numerical base greater than two.
10. The method of claim 1 wherein the output port of the transfer device comprises an infra-red transmitter.
11. The method of claim 1 wherein the step of downloading set-up data from the interactive site to the input port of the transfer device comprises downloading the set-up data to a computer coupled to the input port of the transfer device.
12. The method of claim 1 further comprising the steps of extracting information from the set-up data and sending said information to a manufacturer of the real appliance.
13. A method for setting programmable features of an appliance comprising the steps of:
 - providing an interactive site on a global computer network;
 - establishing a connection between a user's computer and the interactive site;
 - interactively setting programmable features of a virtual appliance at the interactive site;
 - establishing a direct communication link between the interactive site and a real appliance corresponding to the virtual appliance, said communication link being independent of the user's computer;
 - downloading set-up data from the interactive site to the real appliance.
14. The method of claim 13 wherein the communication link is telephonic.
15. The method of claim 13 wherein the communication link comprises a radio frequency link.

16. A method for setting programmable features of a telephone comprising the steps of:
- providing an interactive site on a global computer network;
 - establishing a connection between a user's computer and the interactive site;
 - interactively setting programmable features of a virtual telephone at the interactive site;
 - providing a real telephone corresponding to the virtual telephone having a data decoder for decoding data transmitted telephonically;
 - the interactive site establishing a direct telephonic connection with the real telephone independent of the user's computer;
 - telephonically downloading set-up data from the interactive site to the real telephone.
17. An interface device for communicating data to an appliance comprising:
- means for coupling the interface device to a global computer network to receive modulated data;
 - a data demodulator;
 - a data memory coupled to the data demodulator;
 - a data output port coupled to the data memory;
 - control means for initiating transfer of data from the data memory to an appliance via the output port.
18. The apparatus of claim 17 wherein the means for coupling the interface device to the global computer network comprises means for modulating a display screen of a local computer.
19. The apparatus of claim 17 wherein the means for coupling the interface device to the global computer network comprises a telephonic connection.
20. The apparatus of claim 17 wherein the interface device is a removable module of the appliance.
21. The apparatus of claim 20 wherein the interface device comprises electronics for controlling the appliance during operation thereof.

22. An apparatus comprising:
a computer having means for executing a first stored program and a display screen;
means for wireless transmission of data from the computer;
a handheld device having means for receiving said wireless transmission of data, means for executing a second stored program and a display screen;
wherein said first stored program controls displays of an icon on the computer display screen and causes said icon to be removed from the computer display screen in association with wireless transmission of first data; and
wherein said second stored program causes said icon to appear on the handheld device display screen in association with receipt of said first data.

23. The apparatus of claim 22 wherein the means for wireless transmission comprises modulation of at least a portion of the computer display screen.

24. A method of providing an interactive activity comprising the steps of:
providing a computer program;
executing the computer program in a computer having a display screen, said computer program controlling display of an icon on the computer display screen;
providing means for wireless transmission of data from the computer;
providing a handheld device having means for receiving said wireless transmission of data, means for executing a stored program and a display screen;
transmitting first data from the computer;
removing the icon from the computer screen under control of the computer program in association with transmission of the first data;
receiving the first data in the handheld device;
displaying the icon on the handheld device display screen under control of the stored program in association with receipt of the first data.

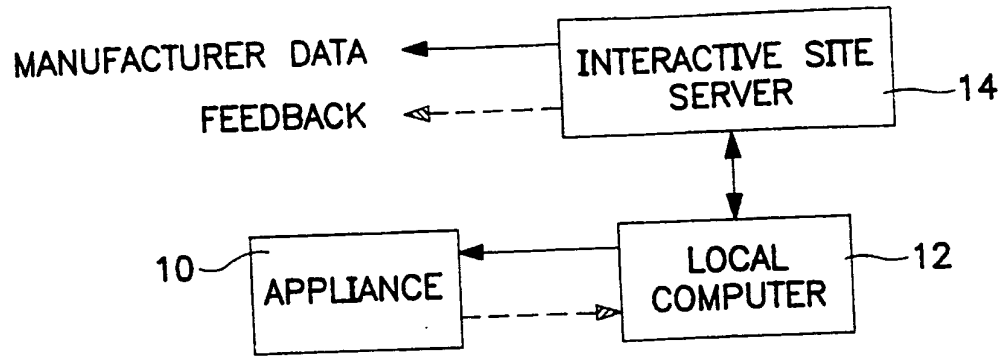


FIG. 1

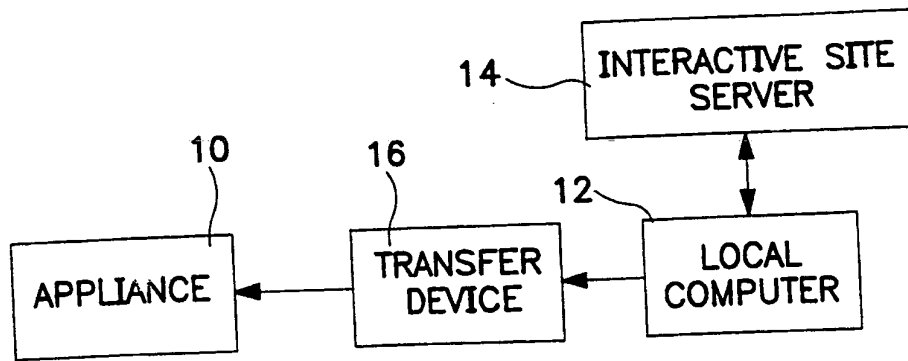


FIG. 2

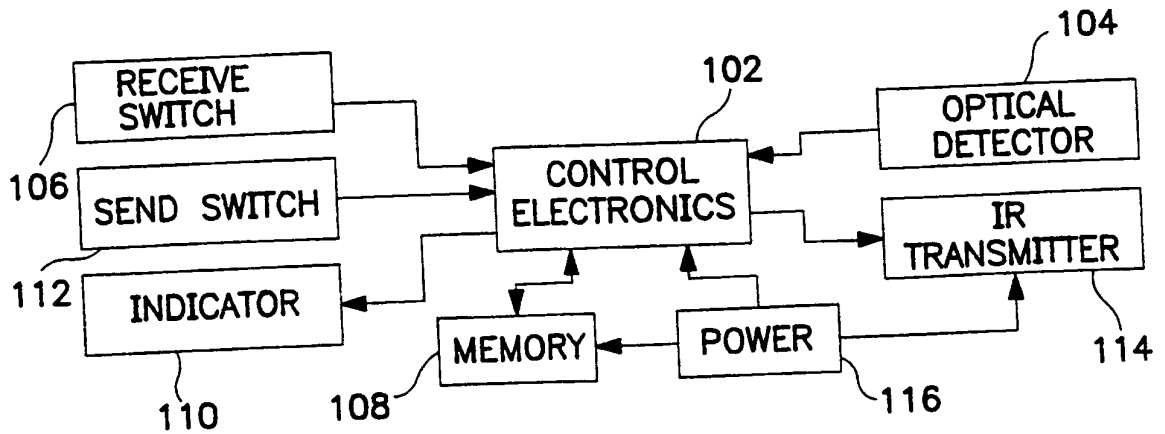


FIG. 3

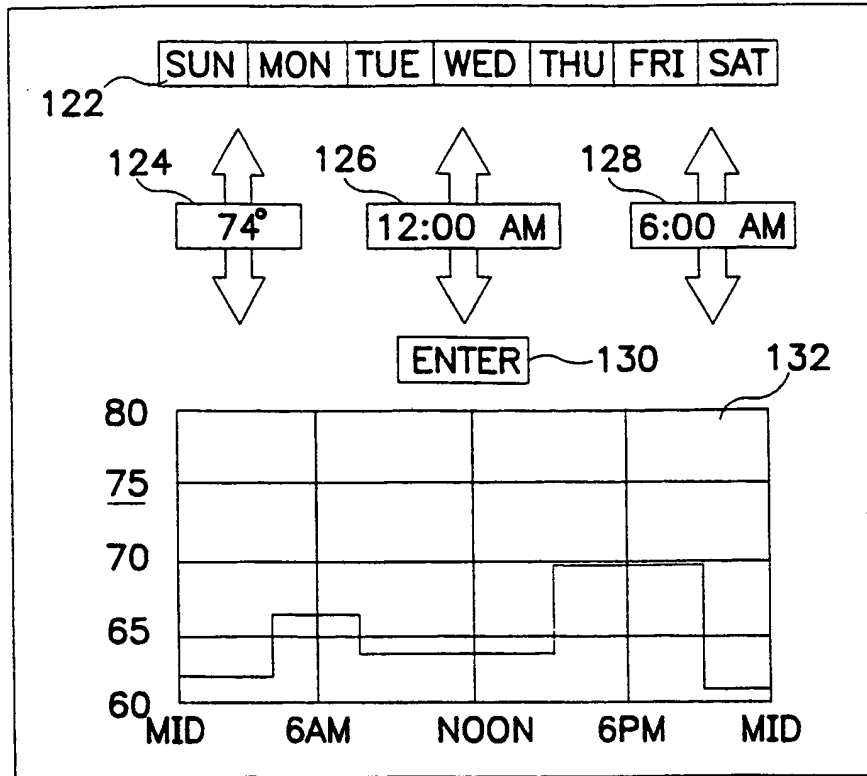


FIG. 4

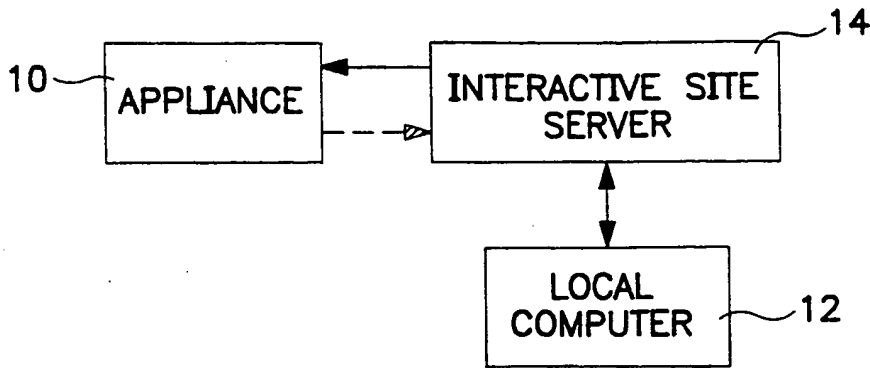


FIG. 5

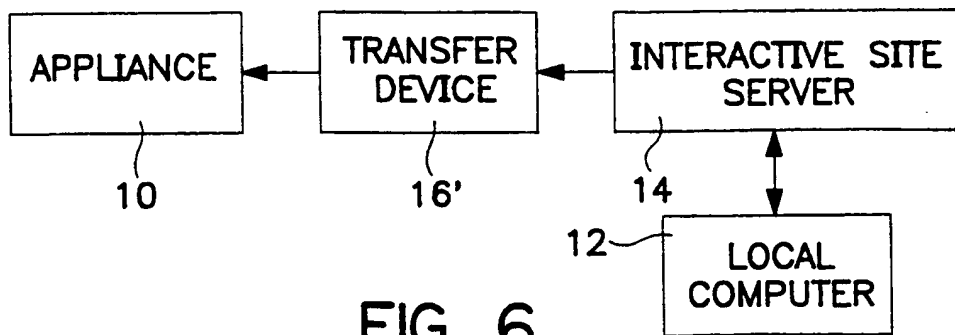
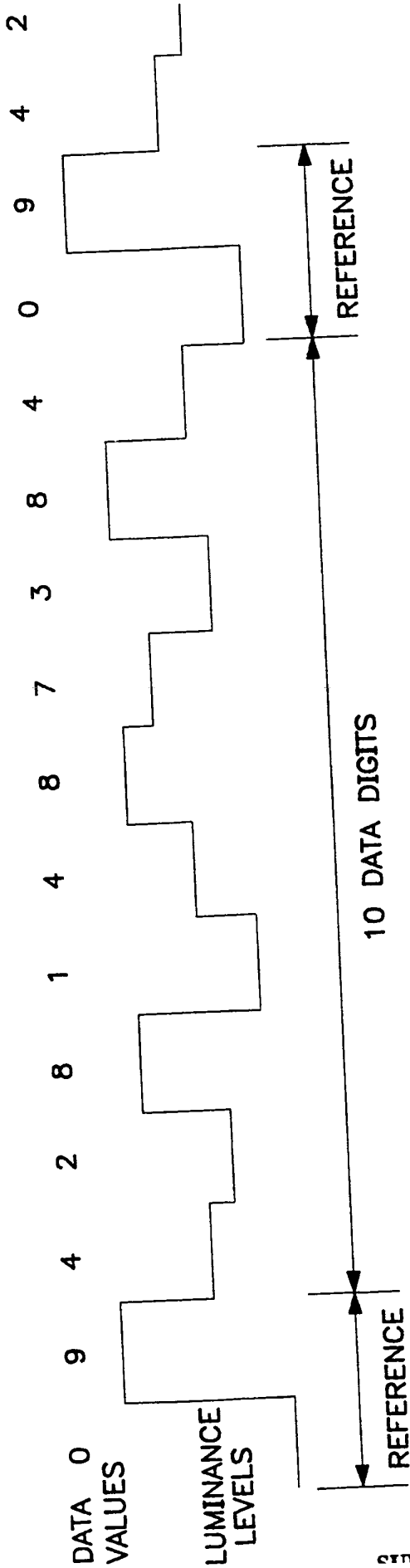
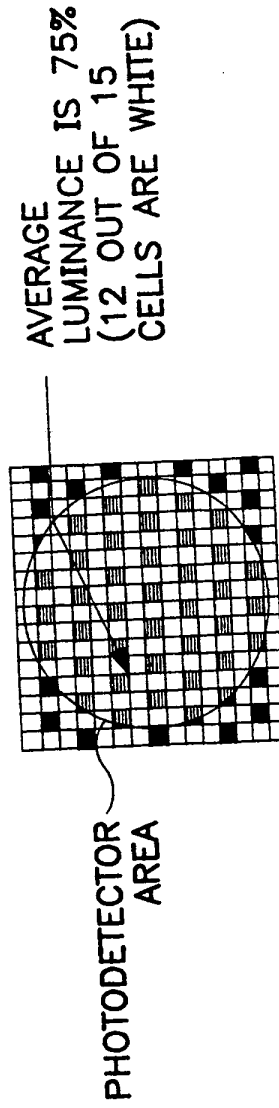


FIG. 6



LUMINANCE MODULATION

FIG. 7



DITHERING ENCODING

FIG. 8

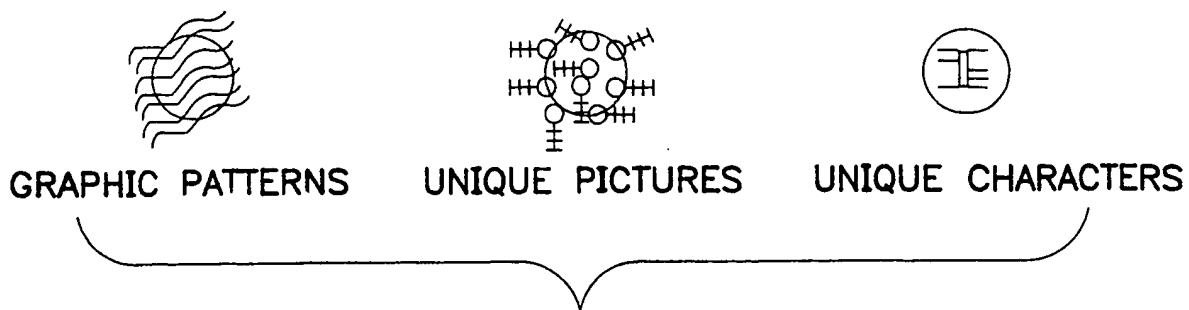


FIG. 9

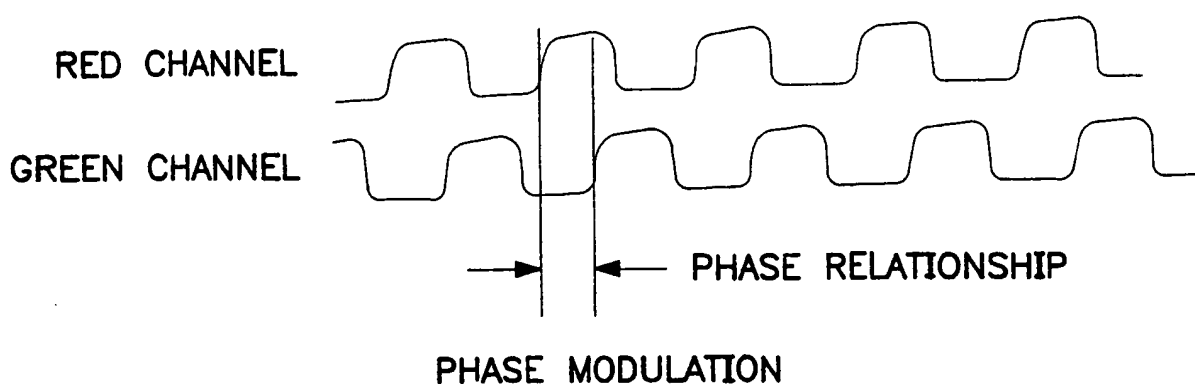


FIG. 10

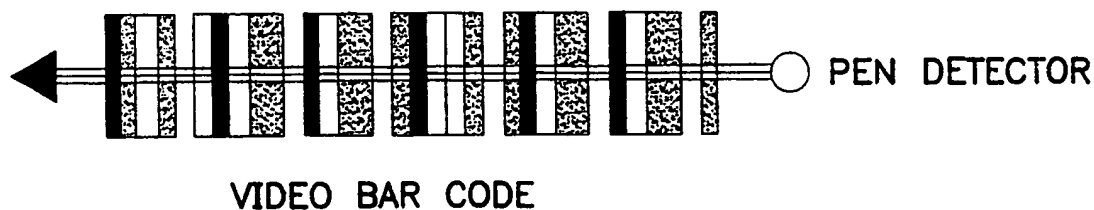
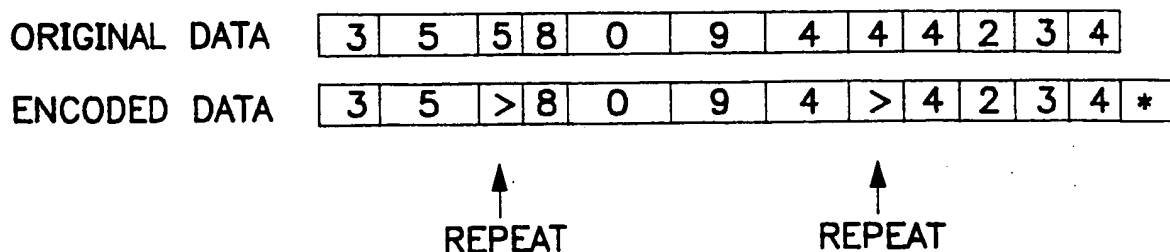


FIG. 11



SELF CLOCKING DATA ENCODING

FIG. 12

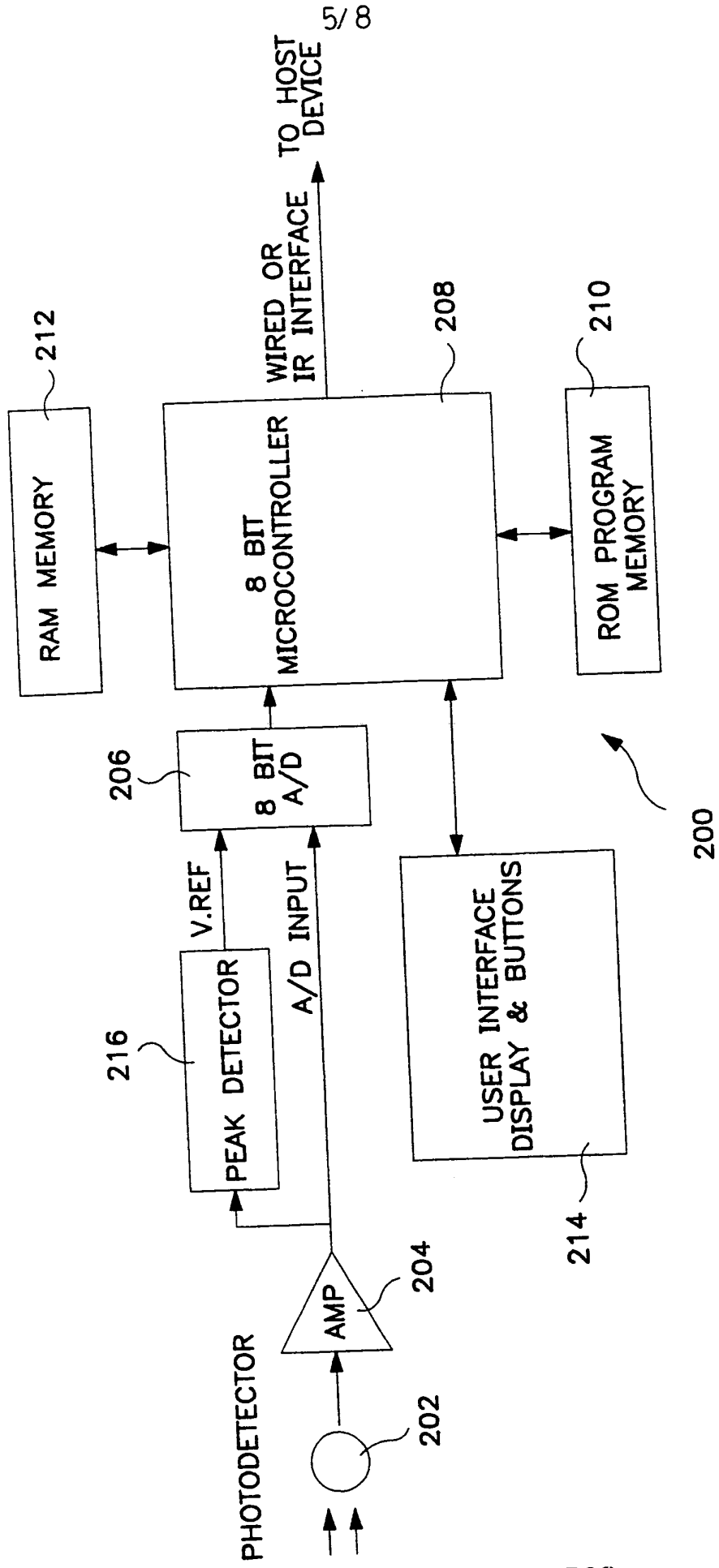


FIG. 13

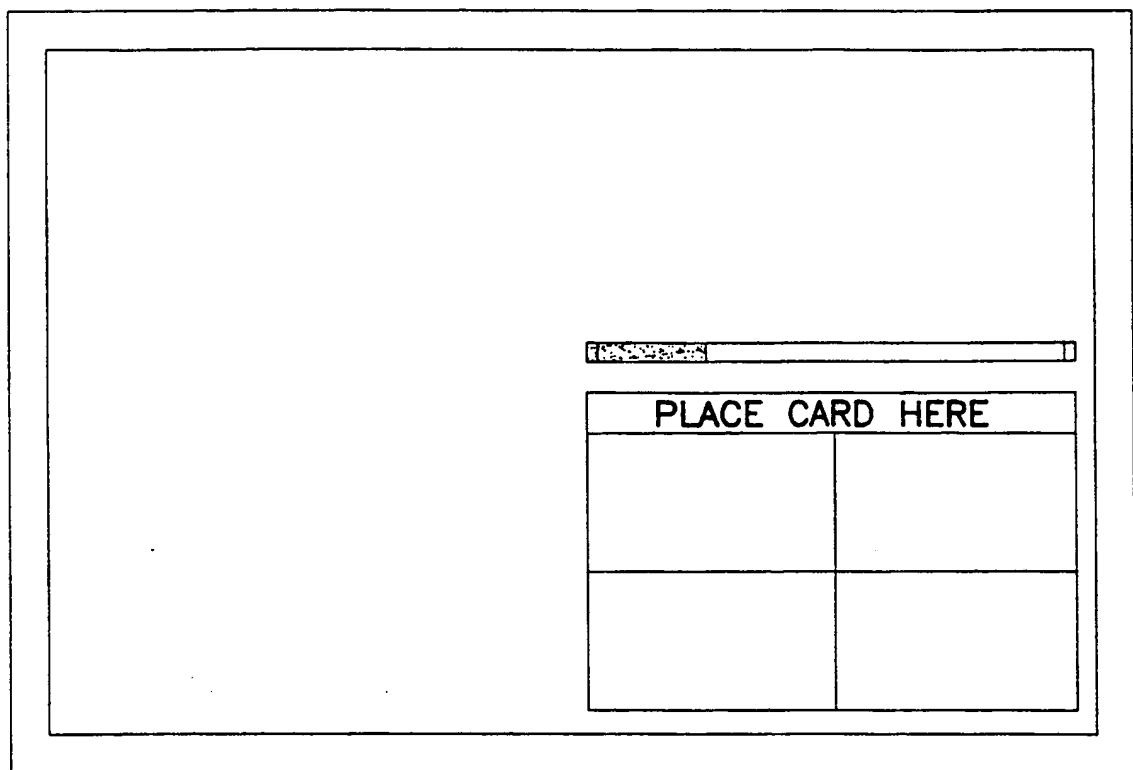
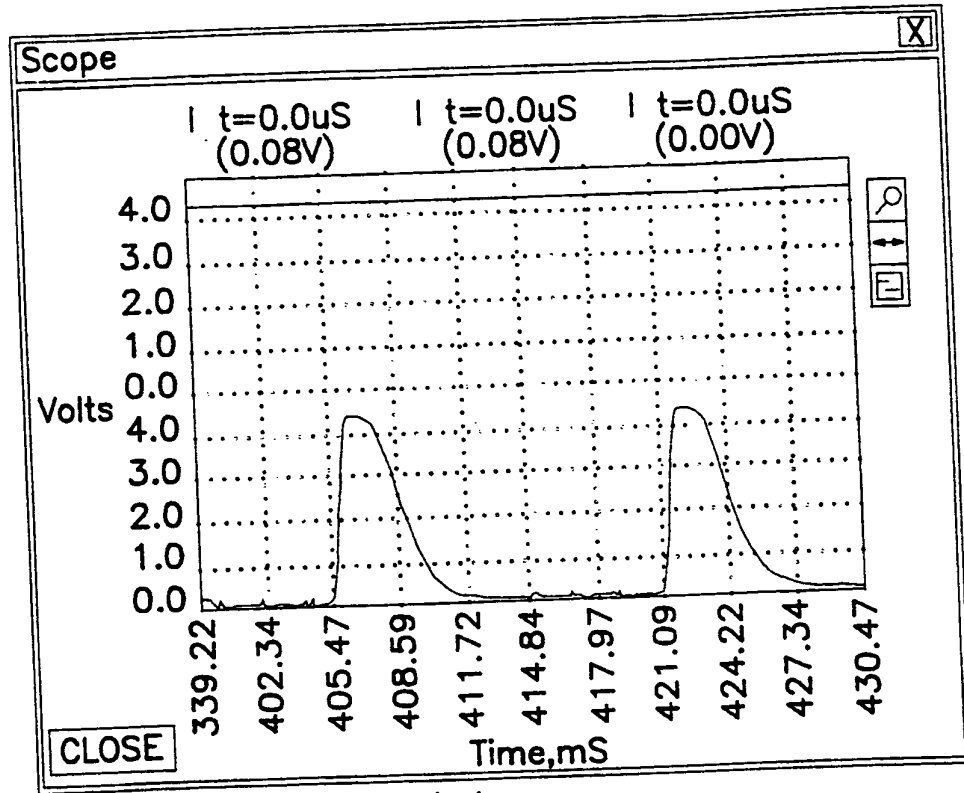
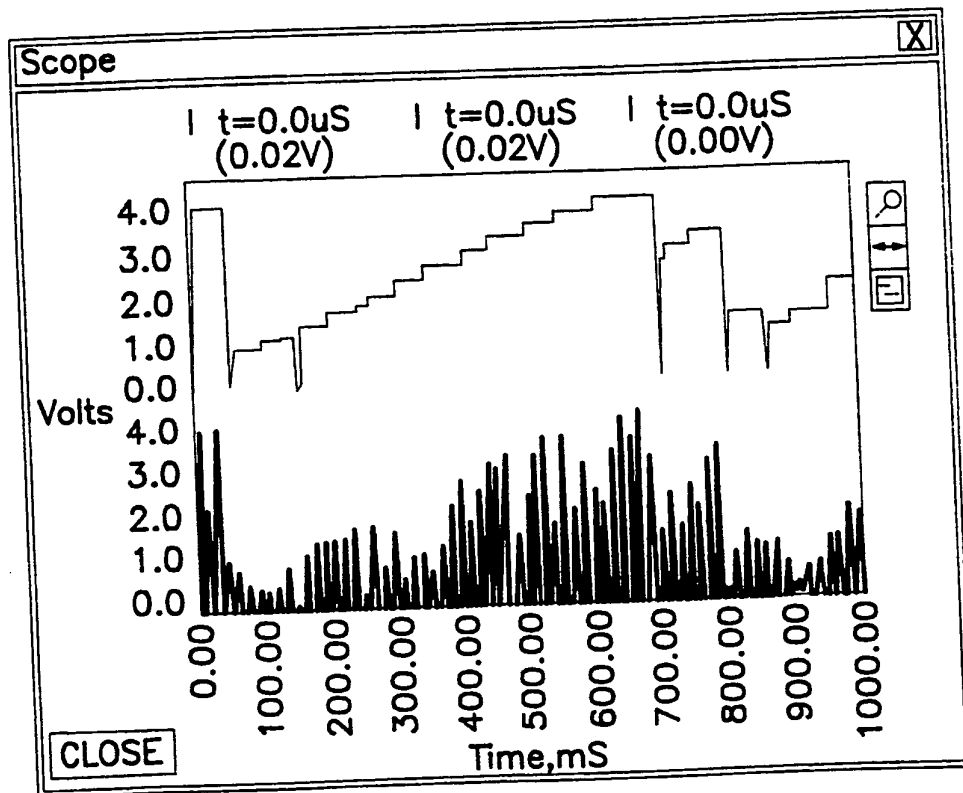


FIG. 14



CRT photoresponse

FIG. 15



calibration sequence

FIG. 16

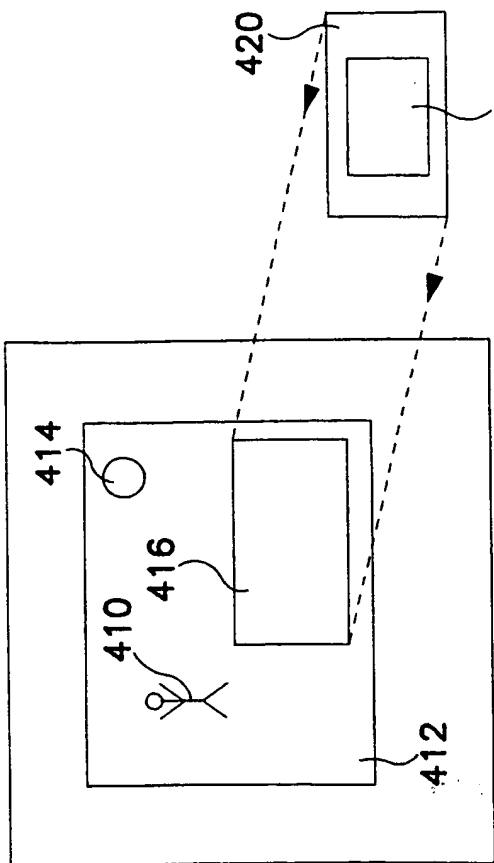


FIG. 18

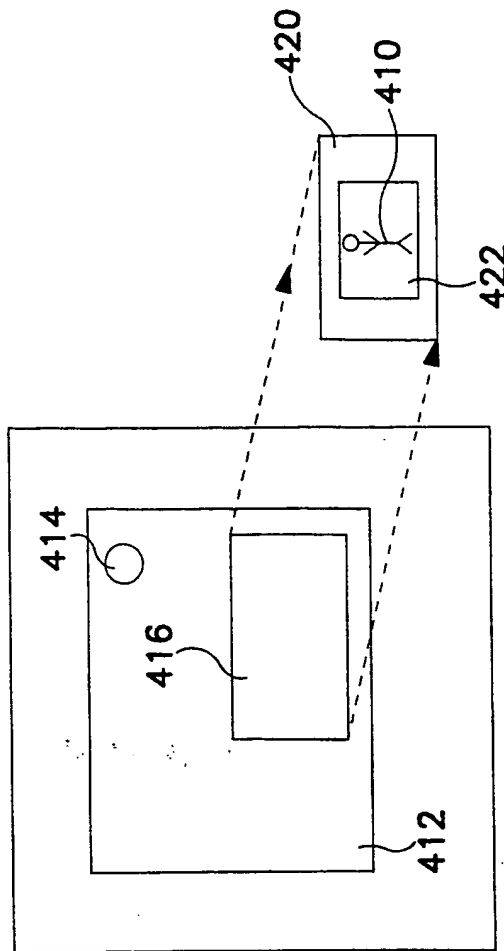


FIG. 20

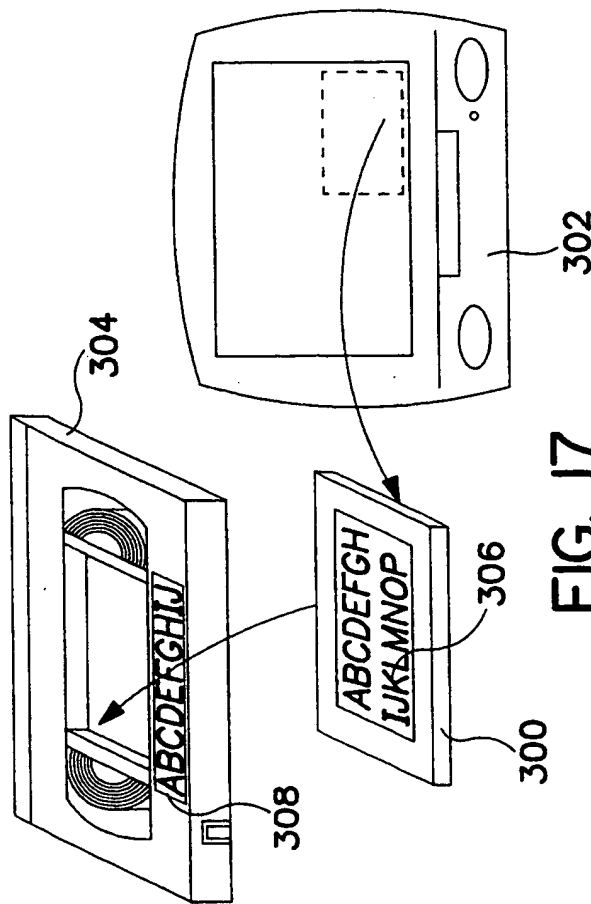


FIG. 17

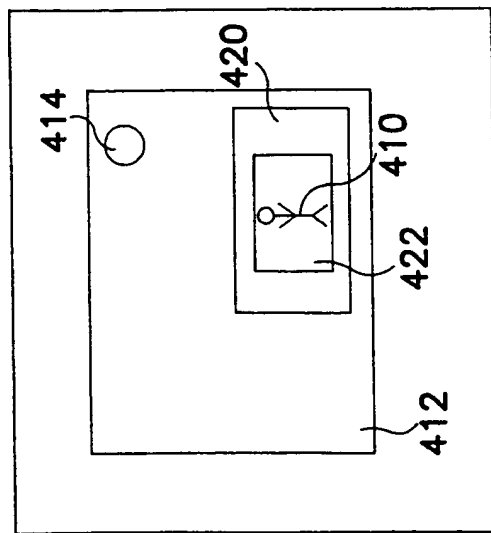


FIG. 19

THIS PAGE BLANK (USPTO)

(19) World Intellectual Property Organization
International Bureau



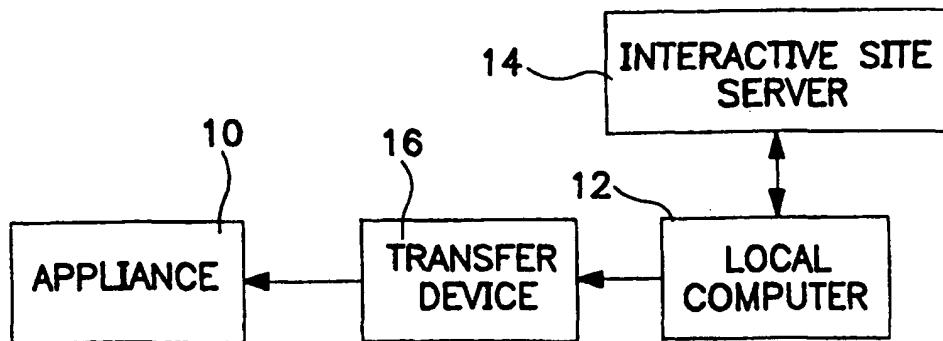
(43) International Publication Date
27 July 2000 (27.07.2000)

PCT

(10) International Publication Number
WO 00/43870 A3

- (51) International Patent Classification⁷: G06F 9/44
 - (21) International Application Number: PCT/US00/01541
 - (22) International Filing Date: 21 January 2000 (21.01.2000)
 - (25) Filing Language: English
 - (26) Publication Language: English
 - (30) Priority Data:
 - 09/235,709 22 January 1999 (22.01.1999) US
 - 09/351,270 12 July 1999 (12.07.1999) US
 - 09/351,990 12 July 1999 (12.07.1999) US
 - (71) Applicant (for all designated States except US):
POINTSET CORPORATION [US/US]; Suite 980,
3500 Olive Avenue, Burbank, CA 91505 (US).
 - (72) Inventors; and
 - (75) Inventors/Applicants (for US only): IGGULDEN, Jerry [US/US]; Suite 980, 3500 Olive Avenue, Burbank, CA 91505 (US). FIELDS, Kyle [US/US]; Suite 980, 3500 Olive Avenue, Burbank, CA 91505 (US). HUSA, Christopher [US/US]; Suite 980, 3500 Olive Avenue, Burbank, CA 91505 (US).
 - (74) Agents: HOOVER, George, W. et al.; Blakely, Sokoloff, Taylor & Zafman, 7th floor, 12400 Wilshire Boulevard, Los Angeles, CA 90025-1026 (US).
 - (81) Designated States (national): AE, AL, AM, AT, AU, AZ, BA, BB, BG, BR, BY, CA, CH, CN, CR, CU, CZ, DE, DK, DM, EE, ES, FI, GB, GD, GE, GH, GM, HR, HU, ID, IL, IN, IS, JP, KE, KG, KP, KR, KZ, LC, LK, LR, LS, LT, LU, LV, MA, MD, MG, MK, MN, MW, MX, NO, NZ, PL, PT, RO, RU, SD, SE, SG, SI, SK, SL, TJ, TM, TR, TT, TZ, UA, UG, US, UZ, VN, YU, ZA, ZW.
 - (84) Designated States (regional): ARIPO patent (GH, GM, KE, LS, MW, SD, SL, SZ, TZ, UG, ZW), Eurasian patent (AM, AZ, BY, KG, KZ, MD, RU, TJ, TM), European patent (AT, BE, CH, CY, DE, DK, ES, FI, FR, GB, GR, IE, IT, LU, MC, NL, PT, SE), OAPI patent (BF, BJ, CF, CG, CI, CM, GA, GN, GW, ML, MR, NE, SN, TD, TG).
- Published:**
— With international search report.
- (88) Date of publication of the international search report:
30 November 2000
- For two-letter codes and other abbreviations, refer to the "Guidance Notes on Codes and Abbreviations" appearing at the beginning of each regular issue of the PCT Gazette.

(54) Title: METHOD AND APPARATUS FOR SETTING PROGRAMMABLE FEATURES OF AN APPLIANCE



(57) Abstract: An interactive interface facilitates the setting of preferences and other programmable parameters of an appliance. The interface is hosted by a server on a global computer network. The appliance owner initiates a connection to the server and is presented with a graphical user interface for setting the preferences and features of the appliance. Once the desired settings have been made, they are downloaded to the appliance either directly from the server or the appliance owner's computer or indirectly using a portable transfer device.



WO 00/43870 A3

INTERNATIONAL SEARCH REPORT

International Application No
PCT/US 00/01541

A. CLASSIFICATION OF SUBJECT MATTER
IPC 7 G06F9/44

According to International Patent Classification (IPC) or to both national classification and IPC

B. FIELDS SEARCHED

Minimum documentation searched (classification system followed by classification symbols)
IPC 7 G06F

Documentation searched other than minimum documentation to the extent that such documents are included in the fields searched

Electronic data base consulted during the international search (name of data base and, where practical, search terms used)
EPO-Internal, WPI Data

C. DOCUMENTS CONSIDERED TO BE RELEVANT

Category *	Citation of document, with indication, where appropriate, of the relevant passages	Relevant to claim No.
X	WO 97 18636 A (MIZUNO YOSHIRO ;WEBTRONICS INC (US)) 22 May 1997 (1997-05-22) the whole document <div style="text-align: center; margin-top: 10px;"> --- -/-- </div>	1-24

Further documents are listed in the continuation of box C. Patent family members are listed in annex.

- * Special categories of cited documents :
- "A" document defining the general state of the art which is not considered to be of particular relevance
 - "T" later document published after the international filing date or priority date and not in conflict with the application but cited to understand the principle or theory underlying the invention
 - "E" earlier document but published on or after the international filing date
 - "X" document of particular relevance; the claimed invention cannot be considered novel or cannot be considered to involve an inventive step when the document is taken alone
 - "L" document which may throw doubts on priority claim(s) or which is cited to establish the publication date of another citation or other special reason (as specified)
 - "Y" document of particular relevance; the claimed invention cannot be considered to involve an inventive step when the document is combined with one or more other such documents, such combination being obvious to a person skilled in the art.
 - "O" document referring to an oral disclosure, use, exhibition or other means
 - "&" document member of the same patent family
 - "P" document published prior to the international filing date but later than the priority date claimed

Date of the actual completion of the international search 24 July 2000	Date of mailing of the international search report 31/07/2000
--	---

Name and mailing address of the ISA European Patent Office, P.B. 5818 Patentlaan 2 NL - 2280 HV Rijswijk Tel. (+31-70) 340-2040, Tx. 31 651 epo nl, Fax: (+31-70) 340-3016	Authorized officer Fonderson, A
--	---

C.(Continuation) DOCUMENTS CONSIDERED TO BE RELEVANT

Category *	Citation of document, with indication, where appropriate, of the relevant passages	Relevant to claim No.
X	SHEAR D: "GOING GLOBAL IN THE REAL WORLD: PUTTING AN EMBEDDED SYSTEM ON THE INTERNET" EDN ELECTRICAL DESIGN NEWS, US, CAHNNERS PUBLISHING CO. NEWTON, MASSACHUSETTS, vol. 42, no. 19, 12 September 1997 (1997-09-12), pages 37-40, 42, 44, XPC00749086 ISSN: 0012-7515	13-15
Y	page 37, paragraph 3 page 38, See Box entitled "EDN's Mystery Circuit"; page 38, left-hand column, paragraph 2 -middle column, paragraph 1; figure 1 page 46, see Box entitled "The Web as a Virtual Embedded System";	1-12, 17-21
A	---	16, 22-24
Y	US 5 488 571 A (JACOBS MICHAEL A ET AL) 30 January 1996 (1996-01-30) cited in the application	1-10, 17-21
A	the whole document	22-24
Y	US 5 774 063 A (EDRINGTON JIMMIE DARIUS ET AL) 30 June 1998 (1998-06-30) cited in the application	1, 11, 12
A	the whole document EP 0 803 808 A (SUN MICROSYSTEMS INC) 29 October 1997 (1997-10-29) the whole document -----	1, 13, 16

INTERNATIONAL SEARCH REPORT

information on patent family members

Inter. No. 00/01541

PCT/US 00/01541

Patent document cited in search report	Publication date	Patent family member(s)	Publication date		
WO 9718636 A	22-05-1997	AU 7706596 A	05-06-1997		
		AU 718232 B	13-04-2000		
		AU 1158797 A	05-06-1997		
		CA 2237023 A	22-05-1997		
		CN 1201397 A	09-12-1998		
		EP 0866722 A	30-09-1998		
		WO 9717992 A	22-05-1997		
		US 5488571 A	30-01-1996	AU 688809 B	19-03-1998
AU 8072594 A	13-06-1995				
BR 9408056 A	24-12-1996				
CA 2174445 A	01-06-1995				
EP 0730807 A	11-09-1996				
JP 9506723 T	30-06-1997				
WO 9515057 A	01-06-1995				
US 5535147 A	09-07-1996				
US 5815127 A	29-09-1998				
US 5774063 A	30-06-1998			EP 0779572 A	18-06-1997
				JP 9198172 A	31-07-1997
EP 0803808 A	29-10-1997	US 5734831 A	31-03-1998		

**This Page is Inserted by IFW Indexing and Scanning
Operations and is not part of the Official Record**

BEST AVAILABLE IMAGES

Defective images within this document are accurate representations of the original documents submitted by the applicant.

Defects in the images include but are not limited to the items checked:

- BLACK BORDERS**
- IMAGE CUT OFF AT TOP, BOTTOM OR SIDES**
- FADED TEXT OR DRAWING**
- BLURRED OR ILLEGIBLE TEXT OR DRAWING**
- SKEWED/SLANTED IMAGES**
- COLOR OR BLACK AND WHITE PHOTOGRAPHS**
- GRAY SCALE DOCUMENTS**
- LINES OR MARKS ON ORIGINAL DOCUMENT**
- REFERENCE(S) OR EXHIBIT(S) SUBMITTED ARE POOR QUALITY**
- OTHER:** _____

IMAGES ARE BEST AVAILABLE COPY.

As rescanning these documents will not correct the image problems checked, please do not report these problems to the IFW Image Problem Mailbox.

THIS PAGE BLANK (USPTO)